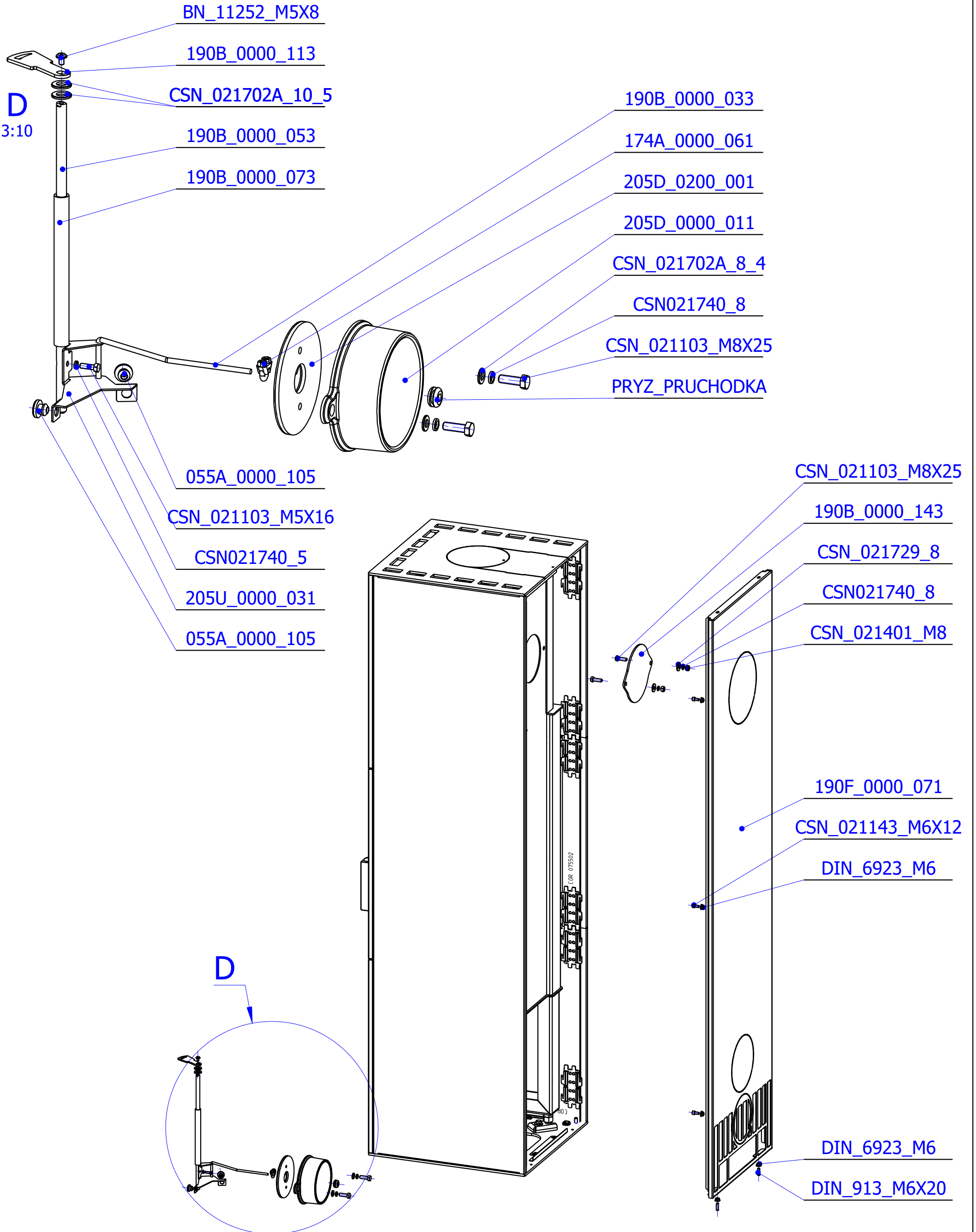
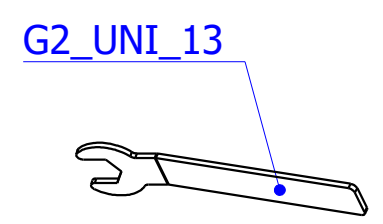
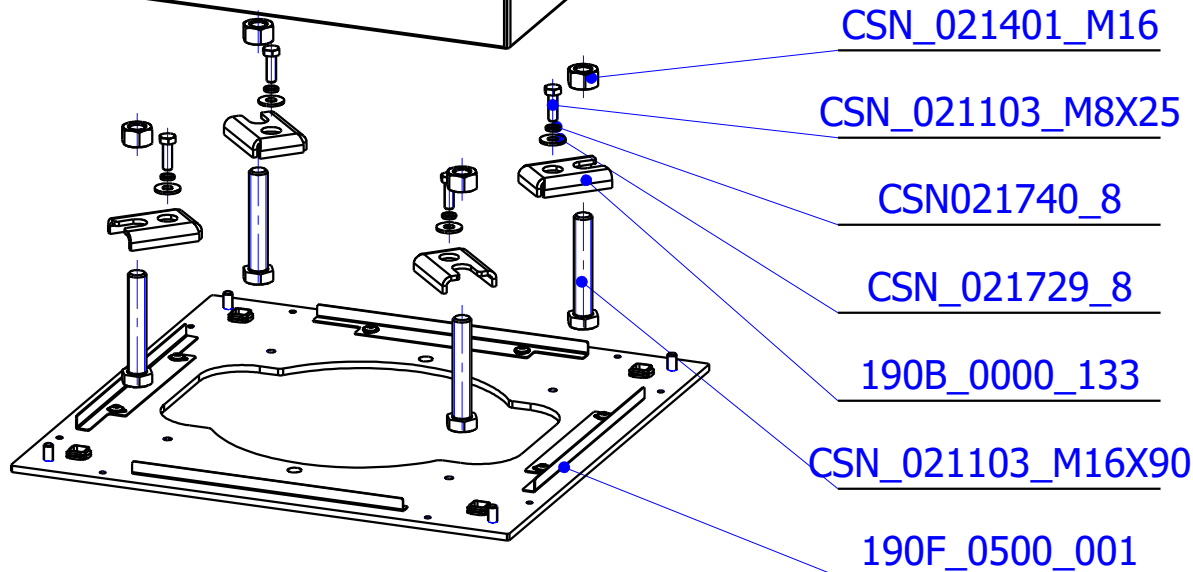
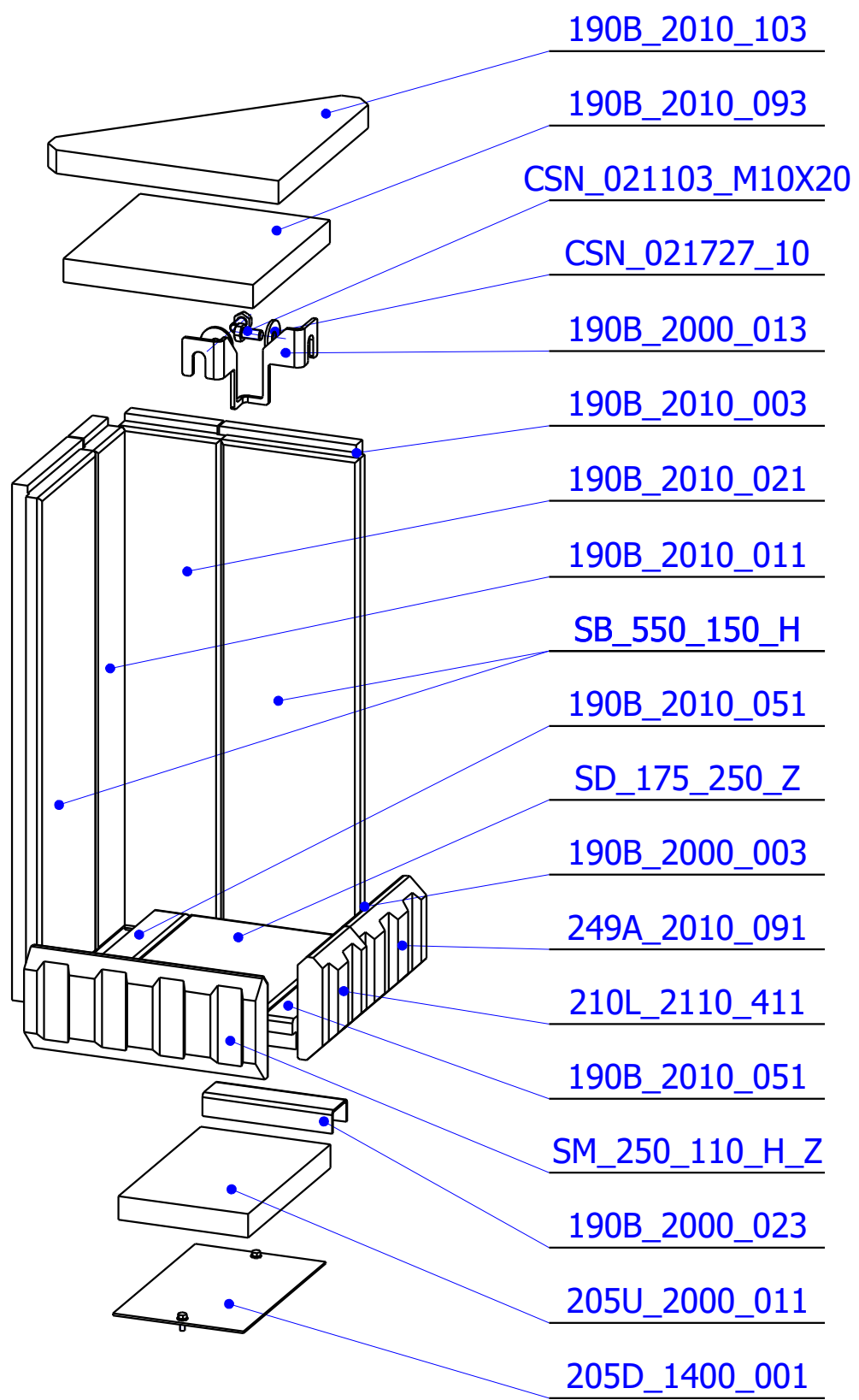
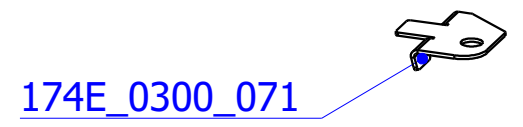
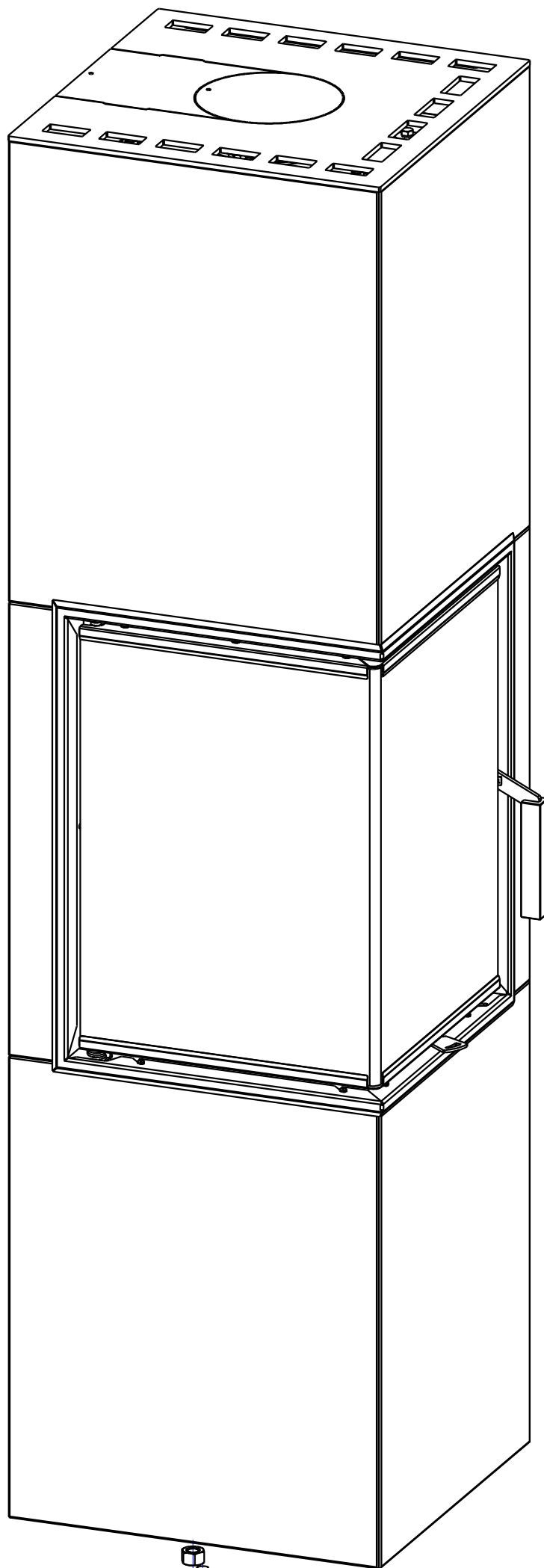
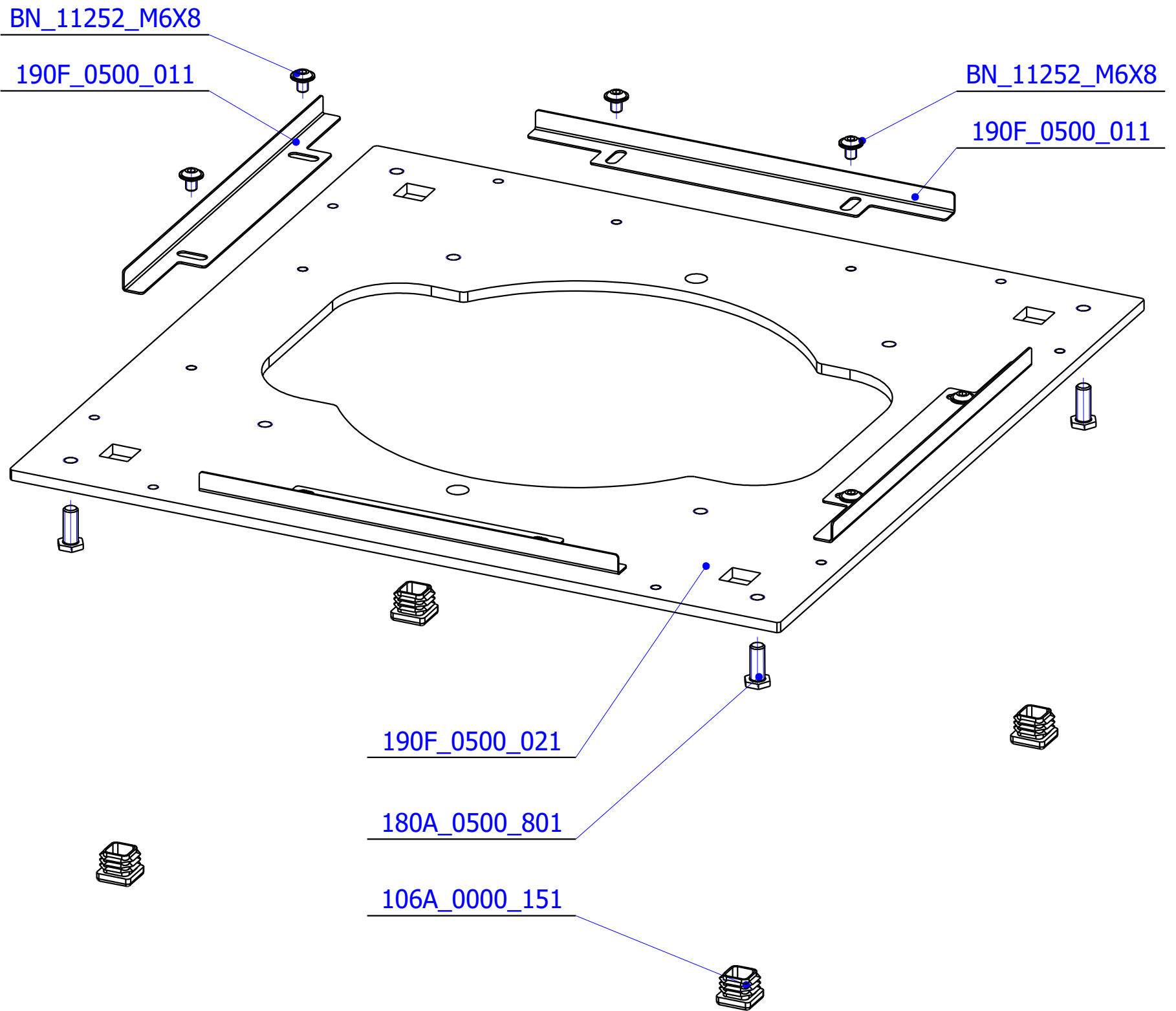


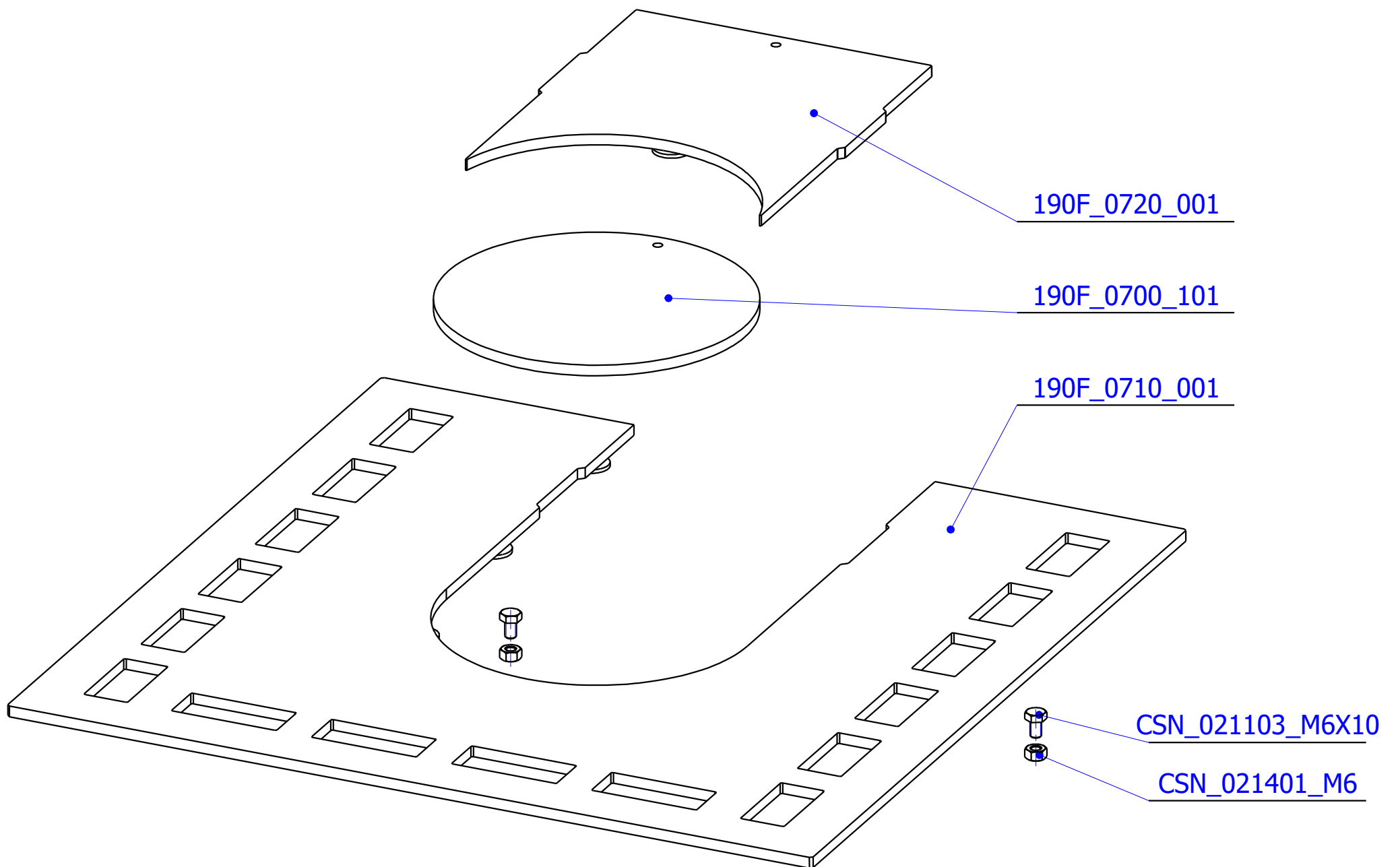
CORNEA L 2S

190F\_000\_001









CORNEA L 2S

190F\_0000\_001

